

TECHNICAL DATA SHEET

(Professional Use Only)

NUMIX SPOT REPAIR

PRODUCT DESCRIPTION

Numix Spot Repair Thinner is a clear transparent Blending additive thinner that contains acrylic resin And special blend of solvent to allow easier Application of Numix Base Coat Spot Repair. It is Ready to use where it can be used as foundation For fade out area or used as additive with basecoat Colors, solids or metallic, before application of Fade out area. Can be applicable over Numix Top 2K And Numix Clear Coat 2K.

FEATURES

01. Specially developed to allow a smooth and invisible spot repair.
02. Fast and easy technology
03. Merge new or old painted surfaces.

RECOMMENDED USE:

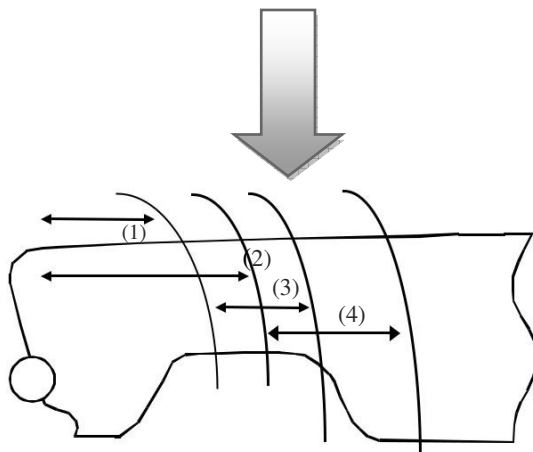
As a clear foundation coat for fade out areas.

TECHNICAL DATA

Colors	Transparent
Flash Point	94°C
Specific Gravity	0.96

SPOT REPAIR METHOD FOR 2K TOPCOATS:

- (1) Apply 1 coat of 2K topcoat over the spot.
- (2) Apply a 2nd coat of 2K topcoat, extending further into the area surrounding the spot.
- (3) Smoothen out the fade-out area with Numix spot repair within 5 min maximum. Mix with balance 2K top. 2K top coat 10% Numix Spot repair 90%
- (4) Optionally extend the fade-out area with within 5 min maximum.
- (5) Stay with the application of within the prepared area.



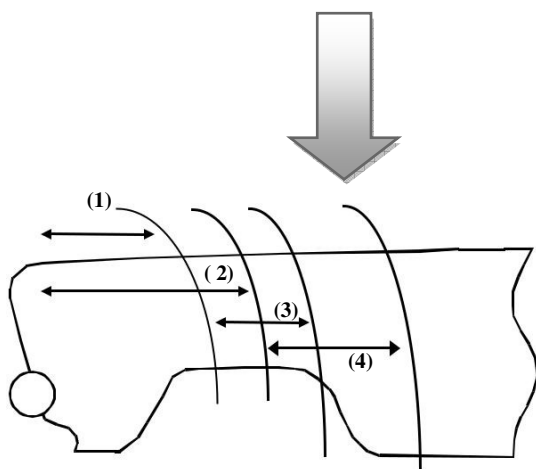
If necessary, balance out the gloss level by polishing with a non silicone containing polishing compound or a non silicone containing final glaze, after complete hardening of the repair.

TECHNICAL DATA SHEET

(Professional Use Only)

SPOT REPAIR METHOD FOR 2K CLEARCOATS:

- (1) Apply 1 coat of 2K clear coat over the basecoat, extending into the area surrounding the spot.
- (2) Apply a 2nd coat of 2K clear coat, extending further into the area surrounding the spot.
- (3) Smoothen out the fade-out area with Numix spot repair within 5 min maximum. Mix with balance clear coat 10% clear and 90% Numix Spot repair thinner.
- (4) Optionally extend the fade-out area with within 5 min maximum.
- (5) Stay with the application of within the prepared area.



If necessary, balance out the gloss level by polishing with a non silicone containing polishing compound or a non silicone containing final glaze, after complete hardening of the repair.

MISCELLANEOUS DATA

STORAGE

The product must be stored according to National Regulations. The product should be kept in cool and well ventilated place, protected from heat and direct sunlight at temp 5-35°C. Containers must be kept tightly closed.

SAFETY / HEALTH

Ensure good ventilation during application and drying.
Avoid contact with skin and eyes. While painting it is advisable to wear eye protector. In case of contact with eyes, rinse immediately with plenty of water and seek medical advice. To remove splashes from skin; use soap and water or a recognized skin cleaner.
Keep out of reach of children.

NOTE: We warranty the quality of our product and this data sheet represents test results and practical experience obtained under controlled conditions. We reserve the right to change data without prior notice.